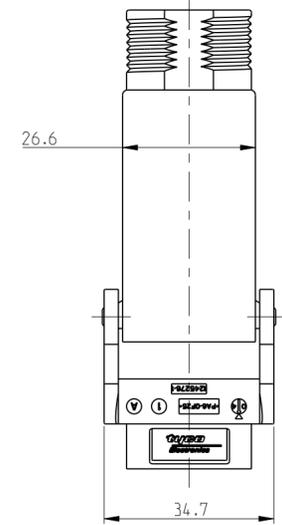
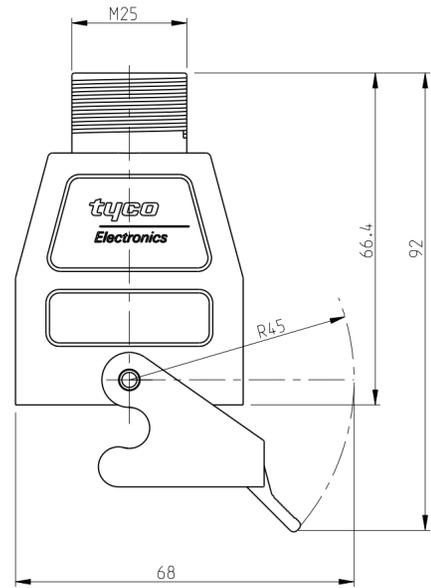
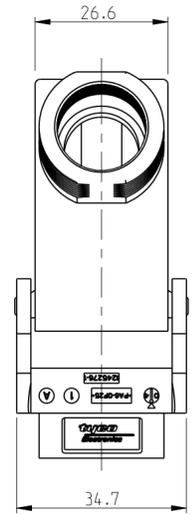
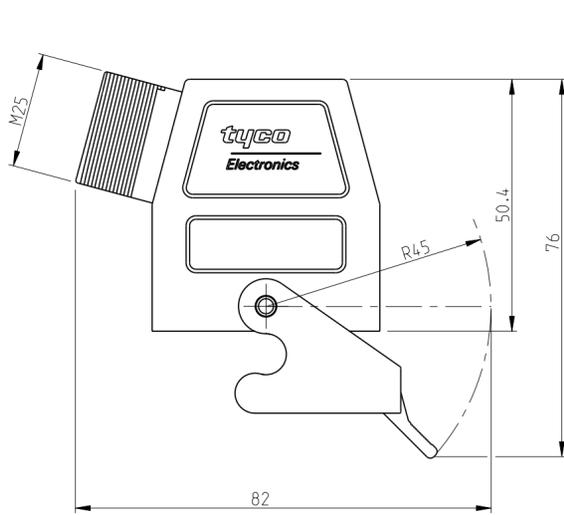
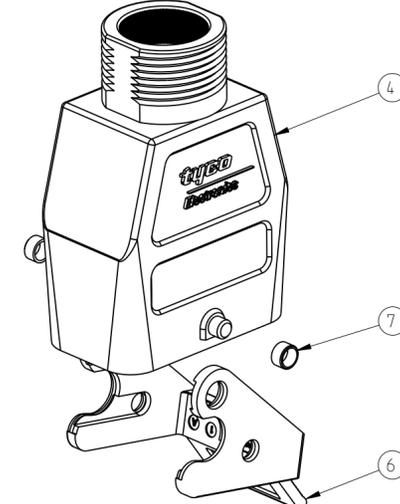
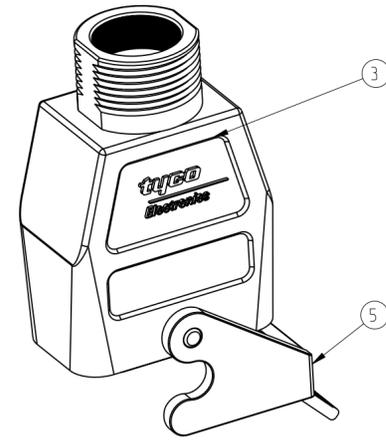
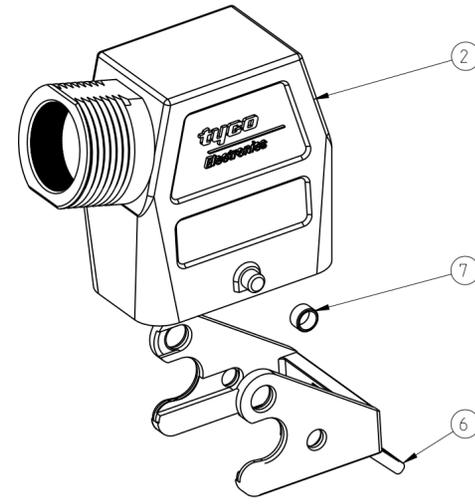
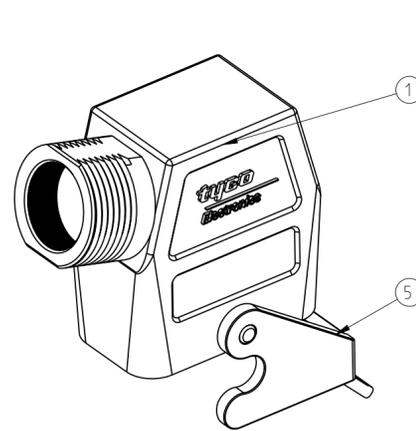


THIS DRAWING IS UNPUBLISHED. RELEASED FOR PUBLICATION
 © COPYRIGHT 2000 BY TYCO ELECTRONICS CORPORATION. ALL RIGHTS RESERVED.

LOC		DIST		REVISIONS			
P	LTR	DESCRIPTION		DATE	DWN	APVD	
A1		B2	RELEASED AS PER ECR-07-013664	08.Jun.07	NSJ	ST	
		B3	REVISED PER ECO-09-027197	16DEC09	KK	AEG	



NOTES
 1 PACKAGING:
 10 PIECES IN A CARTON
 3 OBSOLETE PARTS: OBSOLETE CIS STREAMLINING
 PER D.RENAUD/D.SINISI



QTY		DESCRIPTION		MATERIAL	COLOR	NOTE	ITEM NO.
2	-	BUSH	BRASS	-	-		7
1	-	SIDE CLIP REINFORCED	-	-	-		6
-	1	SIDE CLIP	PA. 6.6-GF25	BLACK			5
1		COUPLING HOUSING	PA. 6.6-GF25	SILVER	EMV-SHIELDING		2
1	1	COUPLING HOUSING	PA. 6.6-GF25	BLACK			1
HG-Q-KDS.G							
HG-EMV-Q-KDS.G							

QTY		DESCRIPTION		MATERIAL	COLOR	NOTE	ITEM NO.
2	-	BUSH	BRASS	-	-		7
1	-	SIDE CLIP REINFORCED	-	-	-		6
-	1	SIDE CLIP	PA. 6.6-GF25	BLACK			5
1		COUPLING HOUSING	PA. 6.6-GF25	SILVER	EMV-SHIELDING		4
1	1	COUPLING HOUSING	PA. 6.6-GF25	BLACK			3
HG-Q-KDO.G							
HG-EMV-Q-KDO.G							

THIS DRAWING IS A CONTROLLED DOCUMENT FOR TYCO ELECTRONICS CORPORATION IT IS SUBJECT TO CHANGE AND THE CONTROLLING ENGINEERING ORGANIZATION SHOULD BE CONTACTED FOR THE LATEST REVISION.		DWN G.Wroblewski 03.08.05 CHK H.Braun 02.08.05 APVD T.Schnurfeil 02.08.05	Tyco Electronics Corporation D - 53819, Neunkirchen, Germany
DIMENSIONS: mm 		TOLERANCES UNLESS OTHERWISE SPECIFIED: h150 B015 h150 Z106-014 h-DIN 9901-120	NAME COUPLING HOUSING ASSY HG-Q.KDO/KDS.G
MATERIAL 		APPLICATION SPEC WEIGHT CUSTOMER DRAWING	SIZE A2 CAGE CODE 00779 DRAWING NO. C=1108795 RESTRICTED TO
SCALE 1:1		SHEET 1 OF 1 REV B3	